
Comfort-Cire®

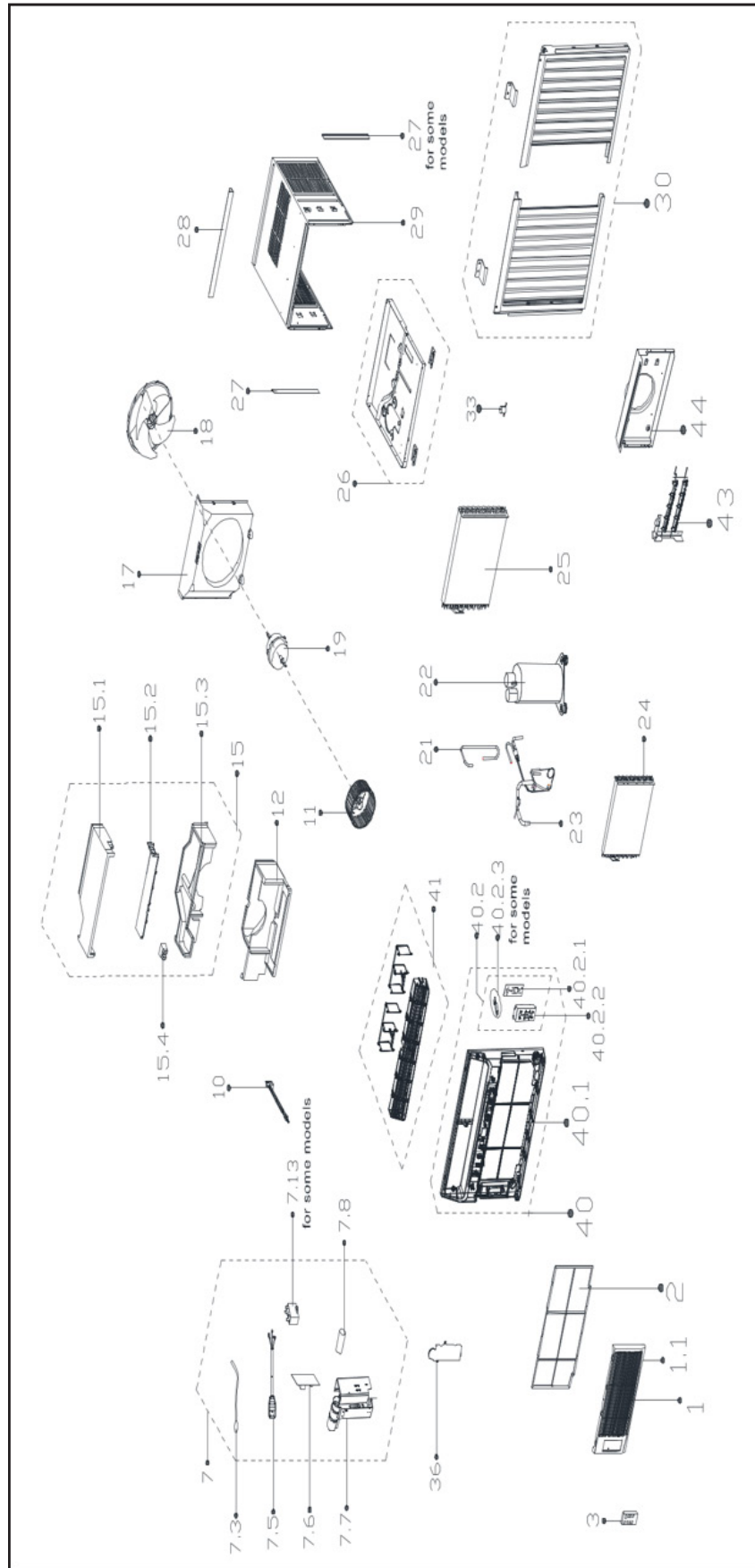
Century®

PARTS LIST

**Window Type Room Air
Conditioner with Electric Heat**

REG-123R01

EXPLODED VIEW



REPLACEMENT PARTS

Location	Part Name	Quantity	Part No.
1	Front panel assembly	1.00	12120300A33050
1.1	Air outlet assembly	1.00	12120300A25008
1.2	Panel frame assembly	1.00	12120300A21711
1.2.2	Panel frame	1.00	12120300A21892
1.5	Air outlet assembly	1.00	12120300A25008
1.6	Filter	1.00	12100204A00044
1.8	Display box subassembly	1.00	17220300A24223
1.9	WiFi Module Assembly	1.00	17310900003164
3	Remote controller	1.00	17317000A66669
7	Electronic control box subassembly	1.00	17220300006270
7.3	Room Temperature Sensor	1.00	11201007003446
7.5	American standard power cord	1.00	17401202016227
7.6	Main control board subassembly	1.00	17120300006289
7.7	Electronic control box	1.00	12220300005721
7.8	Compressor Capacitor	1.00	17400103000055
7.13	Fan Motor Capacitor	1.00	17400101A00488
10	Connecting rod of fresh air door	1.00	12120300004387
11	Centrifugal Fan	1.00	12100103000052
12	Volute shell subassembly(below)	1.00	12820300000399
15	Volute shell subassembly(above)	1.00	12820300000979
15.1	Volute shell (above)	1.00	12820300000999
15.2	Wind baffle board	1.00	12120300A19607
15.3	Volute shell (middle)	1.00	12820300000980
15.4	Bracket of fresh air door	1.00	12120300003165
17	Rear barrier board subassembly	1.00	12120300007264
18	Axial Flow Fan	1.00	12100105000032
19	Single phase asynchronous motor	1.00	11002012043258
21	Suction pipe assembly	1.00	15120300006624
22	Fixed Speed Rotary Compressor	1.00	11103010017053
23	Discharge pipe assembly	1.00	15120300007683
24	Evaporator assembly	1.00	15820300004042
25	Condenser Assembly	1.00	15820300001467
26	Chassis assembly	1.00	12220300005719
28	Top Shutter Frame Subassembly	1.00	12220300003501
29	Cabinet assembly	1.00	12220300A01414
30	Installation Accessory	1.00	12020300000527
33	Drain valve	1.00	17400510000003
36	Electronic control box cover subassembly	1.00	12220300005718
43	PTC electric heater	1.00	17402003005359
44	Box for Electronic heater	1.00	12220300005722

Due to ongoing product improvements, specifications and dimensions are subject to change and correction without notice or incurring obligations. Determining the application and suitability for use of any product is the responsibility of the installer. Additionally, the installer is responsible for verifying dimensional data on the actual product prior to beginning any installation preparations.

Incentive and rebate programs have precise requirements as to product performance and certification. All products meet applicable regulations in effect on date of manufacture; however, certifications are not necessarily granted for the life of a product. Therefore, it is the responsibility of the applicant to determine whether a specific model qualifies for these incentive/rebate programs.

Comfort-Aire® **Century**®

1900 Wellworth Ave., Jackson, MI 49203 • Ph. 517-787-2100 • www.marsdelivers.com

